

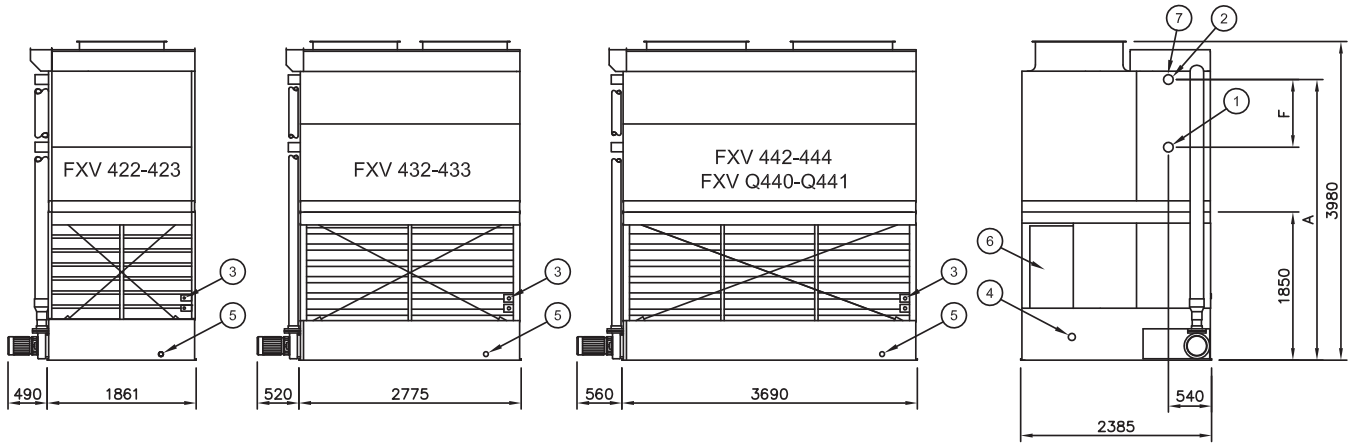


TECHNICAL DATA



FXV Closed Circuit Cooling Towers

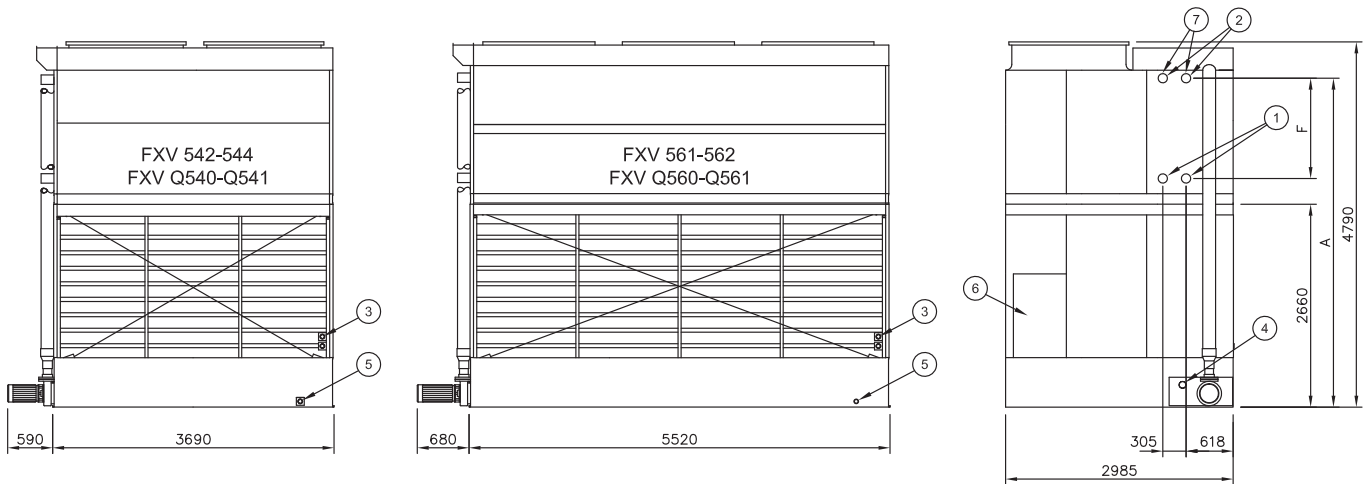
Technical Data



1. Fluid in, 2. Fluid out, 3. Make-Up ND15, 4. Overflow ND80, 5. Drain ND50, 6. Access door, 7. Vent ND15

Model Number FXV	Approx. Weight			Air Flow (m³/s)	Fan Motor (kW)	Spray Water Flow (l/s)	Pump Motor (kW)	Coil Conn. (2) (mm)	F (mm)	A (mm)
	Shipping (kg)	Operating (kg)	Heaviest Section (kg)							
422-H	2350	3570	1440	12.5	4.0	12	1.1	100	845	3505
422-J	2370	3590	1450	14.3	5.5	12	1.1	100	845	3505
422-K	2370	3600	1460	15.7	7.5	12	1.1	100	845	3505
423-J	2520	3800	1600	13.9	5.5	12	1.1	100	1080	3505
423-K	2530	3810	1610	15.3	7.5	12	1.1	100	1080	3505
432-J	3370	5240	2140	20.0	5.5	18	1.5	100	845	3505
432-K	3390	5250	2150	22.0	7.5	18	1.5	100	845	3505
432-L	3410	5260	2160	25.1	11.0	18	1.5	100	845	3505
433-L	3640	5580	2390	24.5	11.0	18	1.5	100	1080	3505
442-K	4150	6640	2590	25.5	7.5	31.5	2.2	2 x 100	845	3505
442-L	4180	6660	2610	29.2	11.0	31.5	2.2	2 x 100	845	3505
442-M	4190	6670	2620	32.1	15.0	31.5	2.2	2 x 100	845	3505
443-L	4480	7090	2910	28.5	11.0	31.5	2.2	2 x 100	1080	3505
443-M	4490	7100	2920	31.4	15.0	31.5	2.2	2 x 100	1080	3505
444-M	4780	7520	3210	30.7	15.0	31.5	2.2	2 x 100	1314	3505
Q440-K	4150	6640	2590	25.5	7.5	31.5	2.2	150	800	3480
Q440-L	4180	6660	2610	29.1	11.0	31.5	2.2	150	800	3480
Q441-L	4770	7510	3200	27.9	11.0	31.5	2.2	150	800	3480

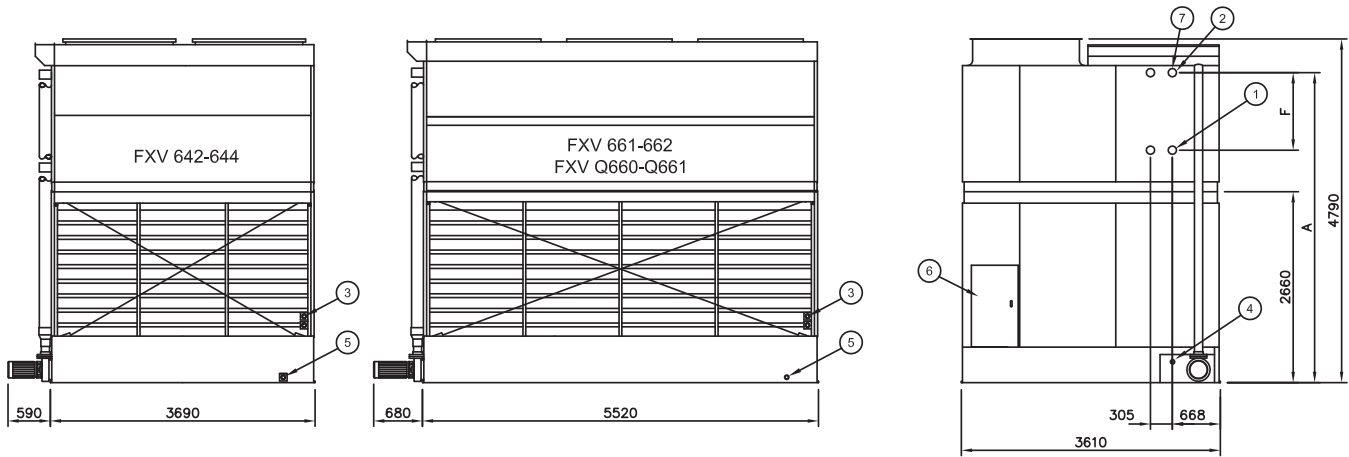
Technical Data



1. Fluid in, 2. Fluid out, 3. Make-Up ND25, 4. Overflow ND80, 5. Drain ND50, 6. Access door, 7. Vent ND15

Model Number FXV	Approx. Weight			Air Flow (m³/s)	Fan Motor (kW)	Spray Water Flow (l/s)	Pump Motor (kW)	Coil Conn. (2) (mm)	F (mm)	A (mm)
	Shipping (kg)	Operating (kg)	Heaviest Section (kg)							
542-L	4970	7960	3240	31.7	11.0	45.1	4.0	2 X 100	845	4320
542-M	4970	7970	3250	34.9	15.0	45.1	4.0	2 X 100	845	4320
542-N	5000	8000	3270	37.5	18.5	45.1	4.0	2 X 100	845	4320
543-M	5410	8600	3690	33.9	15.0	45.1	4.0	2 X 100	1080	4320
543-N	5440	8620	3710	36.5	18.5	45.1	4.0	2 X 100	1080	4320
543-O	5450	8630	3720	38.8	22.0	45.1	4.0	2 X 100	1080	4320
544-N	5880	9250	4150	35.7	18.5	45.1	4.0	2 X 100	1314	4320
544-O	5890	9260	4160	38.1	22.0	45.1	4.0	2 X 100	1314	4320
Q540-M	4970	7970	3250	34.9	15.0	45.1	4.0	150	746	4295
Q540-O	5010	8000	3280	39.8	22.0	45.1	4.0	150	746	4295
Q541-N	5880	9250	4150	35.7	18.5	45.1	4.0	150	1216	4295
Q541-O	5890	9260	4160	38.1	22.0	45.1	4.0	150	1216	4295
561-M	6430	10650	4020	53.1	15 & 7.5	53.6	5.5	2 X 100	610	4320
561-N	6480	10700	4070	57.2	18.5 & 11	53.6	5.5	2 X 100	610	4320
561-O	6490	10710	4090	60.8	22 & 11	53.6	5.5	2 X 100	610	4320
562-M	7090	11590	4680	52.7	15 & 7.5	53.6	5.5	2 X 100	845	4320
562-N	7140	11640	4730	56.7	18.5 & 11	53.6	5.5	2 X 100	845	4320
562-O	7150	11650	4740	60.3	22 & 11	53.6	5.5	2 X 100	845	4320
Q560-L	7070	11580	4670	47.8	11 & 5.5	53.6	5.5	150	746	4295
Q560-O	7150	11650	4740	60.1	22 & 11	53.6	5.5	150	746	4295
Q561-L	8420	13470	6010	45.6	11 & 5.5	53.6	5.5	150	746	4295
Q561-O	8490	13550	6090	57.3	22 & 11	53.6	5.5	150	746	4295

Technical Data



1. Fluid in, 2. Fluid out ND, 3. Make-Up ND25, 4. Overflow ND80, 5. Drain ND50, 6. Access door, 7. Vent ND15

Model Number FXV	Approx. Weight			Air Flow (m ³ /s)	Fan Motor (kW)	Spray Water Flow (l/s)	Pump Motor (kW)	Coil Conn. (2) (mm)	F (mm)	A (mm)
	Shipping (kg)	Operating (kg)	Heaviest Section (kg)							
642-L	5380	9070	3490	36.1	11.0	45.1	4.0	2 X 100	845	4320
642-M	5400	9090	3510	39.7	15.0	45.1	4.0	2 X 100	845	4320
642-N	5420	9110	3530	42.8	18.5	45.1	4.0	2 X 100	845	4320
643-M	5880	9770	3990	38.4	15.0	45.1	4.0	2 X 100	1080	4320
643-N	5900	9800	4010	41.3	18.5	45.1	4.0	2 X 100	1080	4320
643-O	5910	9800	4020	43.9	22.0	45.1	4.0	2 X 100	1080	4320
644-N	6370	10470	4480	40.5	18.5	45.1	4.0	2 X 100	1315	4320
644-O	6380	10480	4490	43.0	22.0	45.1	4.0	2 X 100	1315	4320
661-M	7000	12260	4360	61.0	15 & 7.5	53.6	5.5	2 X 100	610	4320
661-N	7050	12300	4400	65.5	18.5 & 11	53.6	5.5	2 X 100	610	4320
661-O	7060	12320	4420	70.0	22 & 11	53.6	5.5	2 X 100	610	4320
662-M	7710	13270	5070	60.1	15 & 7.5	53.6	5.5	2 X 100	845	4320
662-N	7760	13310	5110	64.7	18.5 & 11	53.6	5.5	2 X 100	845	4320
662-O	7770	13330	5130	68.7	22 & 11	53.6	5.5	2 X 100	845	4320
Q661-M	9160	15310	6510	56.9	15 & 7.5	53.6	5.5	200	1215	4295
Q661-N	9210	15360	6560	61.3	18.5 & 11	53.6	5.5	200	1215	4295
Q661-O	9220	15370	6570	65.1	22 & 11	53.6	5.5	200	1215	4295

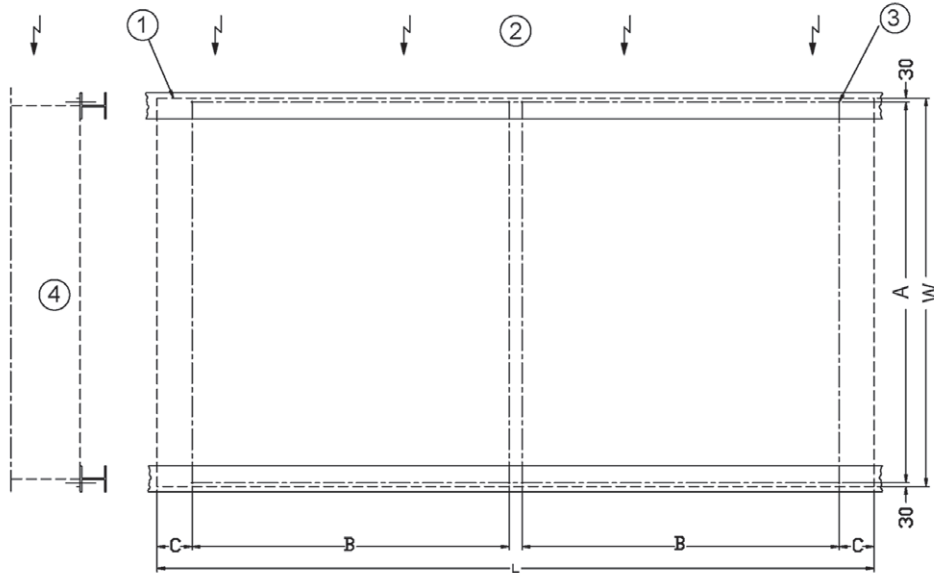


NOTES:

1. Pipe sizes are nominal diameters. All connections through 80mm are BSP male thread except for 15mm vent which is FPT. Connections larger than 80mm are bevelled for welding. Coil connections are capped and seal welded.
 2. a: FXV 422 to 444 and FXV-Q440 to Q441 - When the flow rate for FXV units exceeds 25 l/s the unit will have 2 x 100mm ND inlets & 2 x 100mm ND outlets. When the flow rate for FXV-Q exceeds 57 l/s the unit will have 1 x 200mm ND inlet & 1 x 200mm ND outlet.
b: FXV 542 to 562 and FXV-Q540 to Q561 - When the flow rate for FXV units is less than 25 l/s the unit will have 1 x 100mm ND inlet and 1 x 100mm ND outlet. When the flow rate for FXV-Q exceeds 56.8 l/s the unit will have 1 x 200mm ND inlet and 1 x 200mm ND Outlet.
 - c: FXV 642 to 662 and FXV-Q660 to Q661 - When the flow rate for FXV units is less than 25 l/s the unit will have 1 x 100mm ND inlet and 1 x 100mm ND outlet. When the flow rate for FXV-Q is less than 56.8 l/s the unit will have 1 x 150mm ND inlet and 1 x 150mm ND outlet.
3. Dimensional drawings show standard (right hand) arrangements. Left hand arrangements can be furnished by special order.
 4. Coil, overflow and spray water connections are always located on the same end of the unit.
 5. Coil connection locations are approximate. Dimensions should not be used for prefabrication of connecting piping.

Do not use for construction. Refer to factory certified dimensions. In the interest of product improvement, specifications and dimensions are subject to change without notice.

Structural Support



Model Number FXV	Max. Deflection (mm) (4)	Dimensions (mm)					No. of 16 mm Anchor bolts
		W	L	A	B	C	
42X	5	2385	1860	2325	-	255	4
43X	8	2385	2775	2325	-	255	4
44X	10	2385	3690	2325	-	255	4
54X	10	2985	3690	2925	-	255	4
64X	10	3610	3690	3550	-	255	4
56X	12	2985	5520	2925	2440	270	8
66X	12	3610	5520	3550	2440	270	8



NOTES:

- Support beams and anchor bolts to be selected and installed by others.
- All support steel must be level at the top.
- Beams must be selected in accordance with accepted structural practice.
- Maximum deflection is for units with water level in pan at overflow.
- Consult your BAC representative for the weight loading diagram before selecting support beams.

FXV Questions?

VISIT WWW.BALTIMOREAIRCOIL.COM.AU:

OR CALL 1300 134 662 (AUSTRALIA)
0800 225 842 (NEW ZEALAND)



**BALTIMORE
AIRCOIL AUSTRALIA**

COOLING TOWERS

CLOSED CIRCUIT COOLING TOWERS

ICE THERMAL STORAGE

EVAPORATIVE CONDENSERS

HYBRID PRODUCTS

PARTS & SERVICES

www.BaltimoreAircoil.com.au

120 Wisemans Ferry Road, Somersby NSW 2250 › Telephone (Australia): 1300.134.622 › Telephone (New Zealand): 0800.225.842